

Flanged Linear Bushing

Center Flanged Double

= For customers using industry standard products =
 The part enclosed in the red frame is as per industry standard specifications (Outer cylinder EN 1.3505 Equiv. equivalent, Retainer resin).
 Consider these specifications while selecting the product.

Flanged Compact Type

Single / Double

= For customers selecting MISUMI original specifications =
 The part enclosed in the red frame is as per standard specifications (Outer cylinder EN 1.3505 Equiv. equivalent, Retainer resin).
 Consider these specifications while selecting the product.

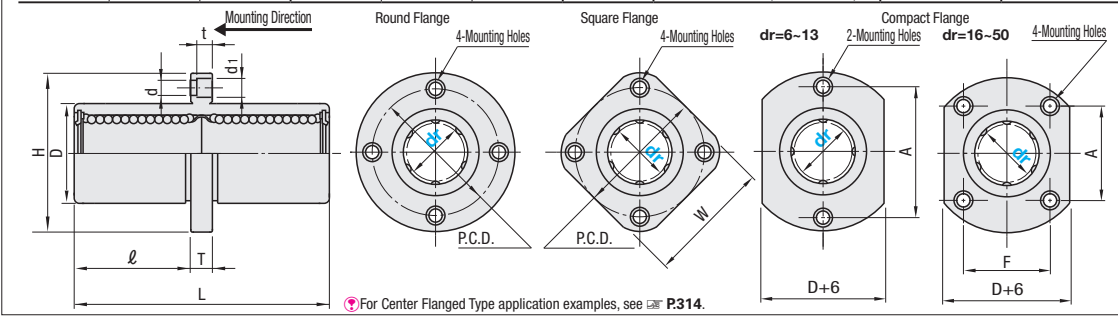
Features: Easy to assemble with bolt-on flanges. A load can be placed near the center of the bushing, evenly distributing the load and space.

Industry Standard



RoHS10

Type			Outer Cylinder			Balls	Retainer	Ambient Operating Temp.	Accessory
Round Flange	Square Flange	Compact Flange	Material	Hardness	Surface Treatment	Material	Material		
LHMRW	LHMSW	LHMCW	EN 1.3505 Equiv.	58HRC~	-	EN 1.3505 Equiv.	Plastic (Duracon M90 Equiv.)	-20~ 80°C	Seal Material Nitrile Rubber (-20~120°C)
LHMRWF	LHMSWF	LHMCWF					Stainless Steel (Stainless Steel)	-20~110°C	
LHMRWM	LHMSWM	LHMCWM					Plastic (Duracon M90 Equiv.)	-20~ 80°C	
LHMRWMF	LHMSWMF	LHMCWMF	EN 1.4125 Equiv.	56HRC~	Electroless Nickel Plating	Stainless Steel (Stainless Steel)	-20~110°C		
SLHMRW	SLHMSW	SLHMCW				Plastic (Duracon M90 Equiv.)	-20~ 80°C		
SLHMRWS	SLHMSWS	SLHMCWS				Stainless Steel (Stainless Steel)	-20~120°C		



dr	Tolerance	D Tolerance		L	L	H	T	d	d1	t	r	P.C.D.	W	F	A	Eccentricity	Balls Rows	Perpendicularity	Basic Load Rating	Allowable Static Moment	Mass (g)		
		No Surface Treatment	Surface Treatment																		C (Dynamic) N	Co (Static) N	Round Flange
6	0	10	0	19	±0.3	25	5	3.5	6	3.1	3	19	20	-	19	0.012	6	0.012	131	155	18	14	15
8	0	13	0	24	±0.3	28	5	4.5	7.5	4.1	3.75	22	23	-	22	0.012	6	0.012	235	277	27	22	24
10	-0.009	17	-0.013	29	±0.3	35	6	4.5	7.5	4.1	3.75	27	27	-	27	0.012	6	0.012	368	433	52	41	46
12	-0.010	19	0	30	±0.3	38	6	4.5	7.5	4.1	3.75	30	29	-	30	0.012	6	0.012	381	449	64	50	55
16	-0.014	26	-0.016	37	±0.3	44	9	14	8.1	8.1	8.1	36	34	24	27	0.025	6	0.025	608	716	96	77	83

For Precautions for Use, see P.303. *Perpendicularity of D part to flange mounting surface kgf=Nx0.101972
 Select Height-adjusting Spacers for Flanged Bushings from P.330.

dr	Round Flange			Square Flange					Compact Flange										
	LHMRW	LHMRWF	LHMRWM	LHMRWMF	SLHMRW	SLHMRWS	LHMSW	LHMSWF	LHMSWM	LHMSWMF	SLHMSW	SLHMSWS	LHMCW	LHMCWF	LHMCWM	LHMCWMF	SLHMCW	SLHMCWS	
6																			
8																			
10																			
12																			
13																			
16																			
20																			
25																			
30																			
35																			
40																			
50																			

Ordering Example: LHMW25 (L Type Greased), LHMW25L (G Type Greased), LHMW25G (H Type Greased), LHMW25H (H Type Greased).
 Alternative grease types available. For Days to Ship, Price and Performance, see P.304.

EX Example: Combination of these app. examples can be selected on our website. Selection Procedure Details P.87

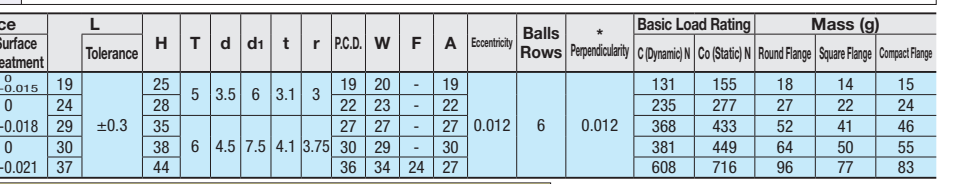
Features: 4 to 5mm smaller in flange diameter (H Dimension) and 2mm smaller in O.D. (D dimension) than Standard. (Standard and Compact Comparison P.318)

MISUMI Original

Single



Type			Outer Cylinder			Balls	Retainer	Ambient Operating Temp.	Accessory
Round Flange	Square Flange	Compact Flange	Material	Hardness	Surface Treatment	Material	Material		
LHRK	LHSK	LHCK	EN 1.3505 Equiv.	58HRC~	-	EN 1.3505 Equiv.	Plastic (Duracon M90 Equiv.)	-20~80°C	Seal Material Nitrile Rubber (-20~120°C)



For Precautions for Use, see P.303. *Perpendicularity of D part to flange mounting surface kgf=Nx0.101972

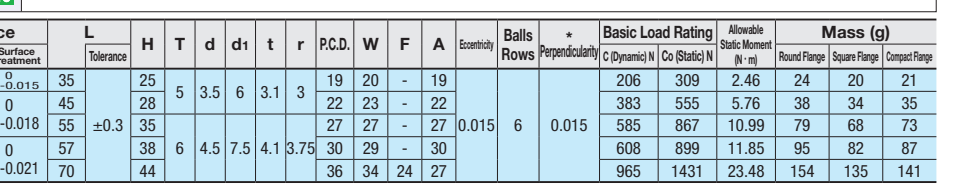
Features: 4 to 5mm smaller in flange diameter (H Dimension) and 2mm smaller in O.D. (D dimension) than Standard. (Standard and Compact Comparison P.318)

MISUMI Original

Double



Type			Outer Cylinder			Balls	Retainer	Ambient Operating Temp.	Accessory
Round Flange	Square Flange	Compact Flange	Material	Hardness	Surface Treatment	Material	Material		
LHRKW	LHSKW	LHCKW	EN 1.3505 Equiv.	58HRC~	-	EN 1.3505 Equiv.	Plastic (Duracon M90 Equiv.)	-20~80°C	Seal Material Nitrile Rubber (-20~120°C)



For Precautions for Use, see P.303. *Perpendicularity of D part to flange mounting surface kgf=Nx0.101972

dr	Tolerance	D Tolerance		L	L	H	T	d	d1	t	r	P.C.D.	W	F	A	Eccentricity	Balls Rows	Perpendicularity	Basic Load Rating	Allowable Static Moment	Mass (g)			
		No Surface Treatment	Surface Treatment																		C (Dynamic) N	Co (Static) N	Round Flange	Square Flange
6	0	10	0	35	±0.3	25	5	3.5	6	3.1	3	19	20	-	19	0.015	6	0.015	206	309	2.46	24	20	21
8	0	13	0	45	±0.3	28	5	4.5	7.5	4.1	3.75	22	23	-	22	0.015	6	0.015	383	555	5.76	38	34	35
10	-0.01	17	-0.013	55	±0.3	35	6	4.5	7.5	4.1	3.75	27	27	-	27	0.015	6	0.015	585	867	10.99	79	68	73
12	-0.01	19	0	57	±0.3	38	6	4.5	7.5	4.1	3.75	30	29	-	30	0.015	6	0.015	608	899	11.85	95	82	87
16	-0.014	26	-0.016	70	±0.3	44	9	14	8.1	8.1	8.1	36	34	24	27	0.025	6	0.025	965	1431	23.48	154	135	141

For Precautions for Use, see P.303. *Perpendicularity of D part to flange mounting surface kgf=Nx0.101972

Ordering Example: LHRK12 (L Type Greased), LHRK12L (G Type Greased), LHRK12G (H Type Greased), LHRK12H (H Type Greased).
 Alternative grease types available. For Days to Ship, Price and Performance, see P.304.

dr	Unit Price					
	Single			Double		
	Round Flange	Square Flange	Compact Flange	Round Flange	Square Flange	Compact Flange
6	LHRK	LHSK	LHCK	LHRKW	LHSKW	LHCKW
8						
10						
12						
16						