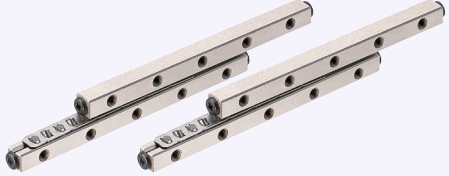


Cross Roller Guides

1000/2000/3000 Series

Part numbers have been changed since the 2010 catalog. Significant 20% price reduction (compared to '09 products).

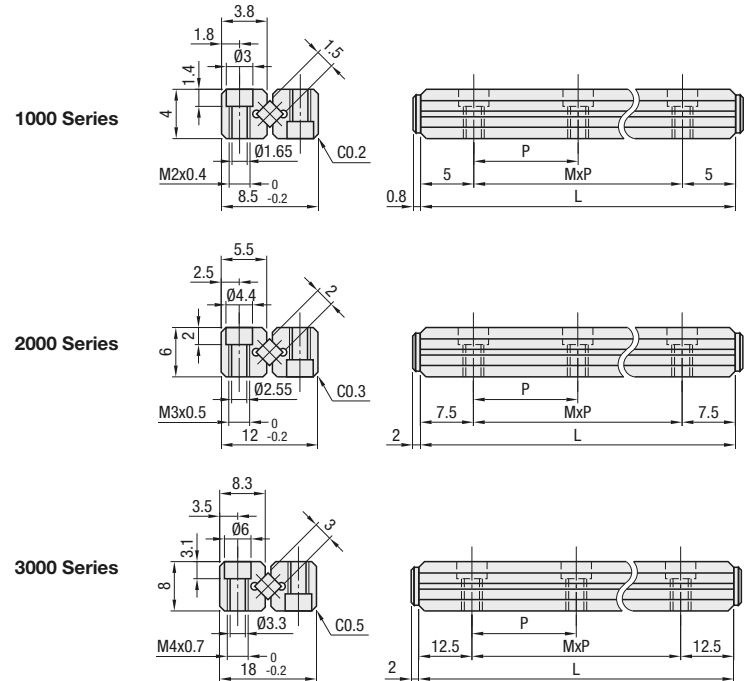


Type	Material	Hardness	Heat Resistant Temperature
CRV	EN 1.3505 Equiv.	60HRC~	-20~110°C
CRVS	EN 1.4125 Equiv.	58HRC~	-20~140°C

1 Set: Track Rail 4 pcs.
Cage 2 pcs.

Part Number Conversion	
Old Part Number	New Part Number
SV	CRV
SVS	CRVS

Specifications such as installation dimensions and accuracies are the same as those of products with old part numbers. RoHS



For orders larger than indicated quantity, please request a quotation.

Series	Part Number		Stroke (Reciprocating Motion)	L	MxP	Number of Rollers per Roller Cage	Basic Load Rating		CRV		CRVS	
	Type	No.					C (Dynamic) N	Co (Static) N	Unit Price	Volume Discount Rate	Unit Price	Volume Discount Rate
1000	CRV	1020	12	20	1x10	5	465	478	1 ~ 9 set(s)	10 sets ~	1 ~ 9 set(s)	10 sets ~
		1030	20	30	2x10	7	643	717				
		1040	27	40	3x10	10	962	1195				
2000	CRVS (Stainless Steel)	2030	18	30	1x15	5	1101	1174				
		2045	24	45	2x15	8	1908	2348				
		2060	30	60	3x15	11	2274	2935				
3000	CRVS (Stainless Steel)	3050	28	50	1x25	7	3617	4062				
		3075	48	75	2x25	10	5409	6770				

kgf=Nx0.101972

Ordering Example: Part Number CRV3050


Handle with Care

Cross Roller Guides are vulnerable to impacts. Dropping it or applying extra force will impair its sliding performance. Please handle it with utmost care.

Ball Slide Guides


Counterbored Holes / Tapped Holes

Counterbored Holes



RoHS

Tapped Holes



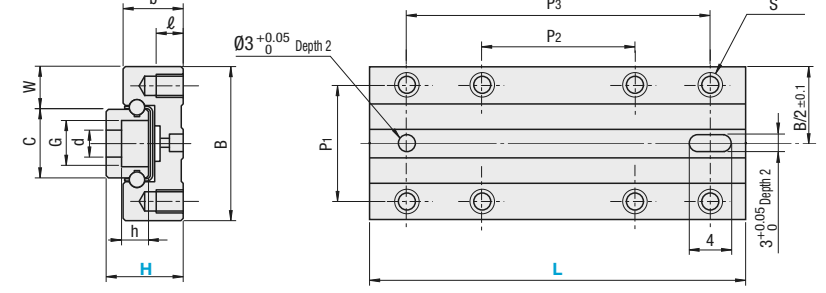
RoHS

Type			Material		Hardness
Counterbored Hole	Tapped Hole	With Dowel Holes Counterbored Hole	Main Body Rails	Retainer	Main Body Rails
BSG	BSGM	BSGP	Stainless Steel	EN 1.4301 Equiv.	56HRC~

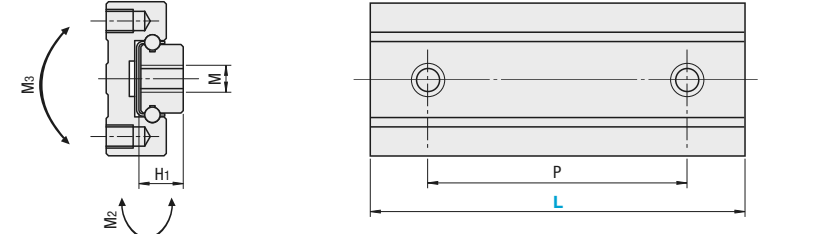
Heat Resistant Temperature: -20 ~ 80°C

Included Rail Mounting Screws:
 : H6 Counterbored Type comes with class 1 slotted button head screws (M2x6).
 : H8 Counterbored Type comes with cap screws (M2x6).
 : Filled with Lithium soap based grease (Multemp Grease PS2 by Kyodo Yushi Co., Ltd.).

Counterbored Holes (Rail)



Tapped Holes (Rail)

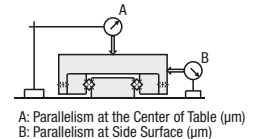


Part Number	Selection	Max. Stroke (Reciprocating Motion)	Block Dimension							Guide Rail Dimension				Basic Load Rating			Allowable Static Moment			Precision				
			W	B	P ₁	P ₂	P ₃	S	ℓ	b	C	H ₁	dxGxh	M	P	C (Dynamic) N	Co (Static) N	M ₁ N·m	M ₂ N·m	M ₃ N·m	Mass (g)	Deflection A	Deflection B	
Counterbored Holes BSG BSGM BSGP	6	25	14	3.55	12	8	15	-	M2	1.5	4.5	4.9	4	2.4x3.5x1	M2.6	15	390	847	1.5	1.5	2.2	10	4	6
		40	19	15	30	15	-	M2.5	3	6.5	6.8	4.7	2.4x4.2x2.3	M3	15	628	1270	2.5	2.9	4.2	16			
		25	14	5.1	17	12	15	-	M2.5	3	6.5	6.8	4.7	2.4x4.2x2.3	M3	30	962	2329	5.1	5.1	8.5	33		
Tapped Holes BSGM	8	*35	22	5.55	20	15	20	-	M3	3.5	7.8	8.9	5.5	3.5x6x3.5	M4	20	1038	2016	5.4	5.4	9.5	40	5	8
		*55	28	20	40	M3	3.5	7.8	8.9	5.5	3.5x6x3.5	M4	40	1886	4032	11.1	11.1	19.0	65					
		*45	26	7.6	27	20	25	-	M4	5	10	11.8	7.5	3.5x6x4.5	M4	25	1627	3334	10.6	10.6	20.7	93		
	13	*70	36	25	50	M4	5	10	11.8	7.5	3.5x6x4.5	M4	50	2519	6192	20.0	20.0	38.4	146	5	8			

Only * marked sizes are available for Dowel Hole Type.

kgf=Nx0.101972

Ordering Example: Part Number BSG8 - L 40



Handle with Care

Ball Slide Guides are vulnerable to impacts. Dropping it or applying extra force will impair its sliding performance. Please handle it with utmost care.

H	Selection L	Unit Price Stainless Steel		
		BSG	BSGM	BSGP
6	25			
	40			
8	25			
	40			
10	35			
	55			
13	45			
	70			