


# Leveling Mounts / Economy Leveling Mounts

# Leveling Mounts Heavy Load / Handwheel

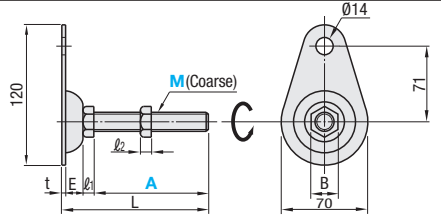
**Fixed**



**FJKN  
FJKNS**  
(Stainless Steel)

RoHS 10


Screw shaft turns independently of the base and tilts slightly.



M	ℓ <sub>1</sub>	ℓ <sub>2</sub>	E	B	t
10	7	8	18	17	2
12	8	10		19	
16	10	13		24	
20	13	16		30	

Type: **M**Material: EN 1.0038 Equiv. **S**Surface Treatment: Trivalent Chromate  
**FJKN** EN 1.4301 Equiv. Electrolytic Polishing

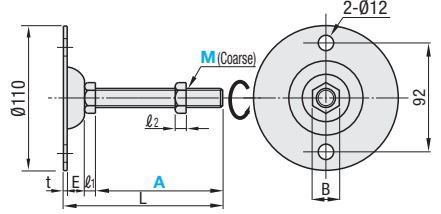
**2-Screw Holes**



**FJWN  
FJWNS**  
(Stainless Steel)

RoHS 10

Screw shaft turns independently of the base and tilts slightly.




M	ℓ <sub>1</sub>	ℓ <sub>2</sub>	E	B	t
10	7	8	23	17	2
12	8	10	22.5	19	
16	10	13		24	
20	13	16	21.5	30	

Type: **M**Material: EN 1.0038 Equiv. **S**Surface Treatment: Trivalent Chromate  
**FJWN** EN 1.4301 Equiv. Electrolytic Polishing

Type	Part Number	M-A	L	Allowable Vertical Load (kN)	Mass (g)	Unit Price	
						FJKN	FJKNS
FJKN	10-75	102	4.3	186			
	10-100	127		204			
	12-75	103		211			
	12-100	128	4.9	229			
	12-125	153		245			
	12-150	178		264			
	16-75	105		307			
	16-100	130	5.9	337			
	16-130	160		376			
	16-150	180		403			
16-180	210	442					
FJKNS	20-100	133	8.8	509			
	20-130	163		571			
	20-150	183		613			
	20-180	213		674			

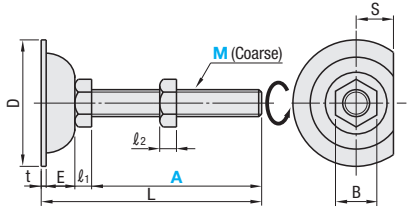
**Fixed**



**NFJNCT**

RoHS 10

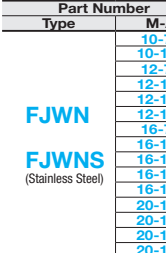
Screw shaft turns independently of the base and tilts slightly.



M	D	S	ℓ <sub>1</sub>	ℓ <sub>2</sub>	E	t	B
8	38	17	5.5	6.5	11	1.6	13
10			7	8	11	17	
12	60	17	8	10	18	2.0	19
16			10	13	20	24	

**M**Material: EN 1.0038 Equiv. **S**Surface Treatment: Trivalent Chromate


**2-Screw Holes**



**FJWN  
FJWNS**  
(Stainless Steel)

Type	Part Number	M-A	L	Allowable Vertical Load (kN)	Mass (g)	Unit Price
						Example
NFJNCT	8-50	68.1	0.98	47		
	8-100	118.1		62		
	10-75	94.6		85		
	10-100	119.6		97		
	12-75	103		156		
	12-100	128		174		
	12-125	153		190		
	12-150	178		209		
	16-75	107		267		
	16-100	132		297		
16-130	162	336				
16-150	182	363				
16-180	212	402				

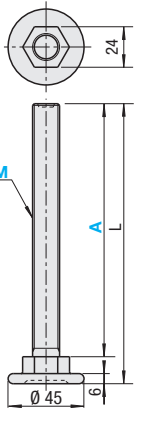
**Economy Leveling Mounts**



**MAJB**

RoHS 10


The screw and the pad are one piece.



Part Number	M-A	L	Allowable Vertical Load (kN)	Mass (g)	Unit Price
MAJB	16-75	91	3.7	200	
	16-150	166		297	


Ordering Example: **FJWN12-150**, **NFJNCT12-100**, **MAJB16-75**

**Leveling Mounts - Space Saving**



**NFJNCT**

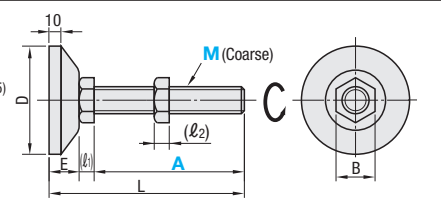
**Heavy Load**



**FJFN  
FJFNS  
FJFNB  
FJFNF**  
(Fine Pitch 1.5)

RoHS 10


Screw shafts can turn independently of the base and can tilt by 3 - 5 degrees.



M	D	(ℓ <sub>1</sub> )	(ℓ <sub>2</sub> )	E	B
10	60	7	8	18	17
12		8	10		19
16		10	13		24
20		13	16		30
24	70	16	19	20	36

Type: **M**Material: EN 1.0038 Equiv. **S**Surface Treatment: Trivalent Chromate

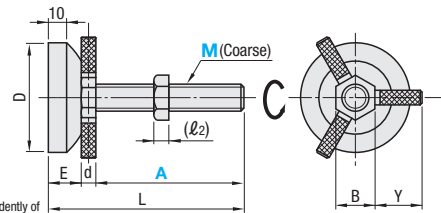
**Handwheel Type**



**FJFNH**

RoHS 10

Screw shafts can turn independently of the base and can tilt by 3 - 5 degrees.



Type	M	D	(ℓ <sub>1</sub> )	(ℓ <sub>2</sub> )	E	B
FJFN	10	60	7	8	18	17
FJFNF			8	10		19
FJFNB			10	13		24
FJFNS			13	16		30
FJFNH	20	70	16	19	20	36

Type: **M**Material: EN 1.0038 Equiv. **S**Surface Treatment: Trivalent Chromate

Type	Part Number	M-A	L	Allowable Vertical Load (kN)	Mass (g)	Unit Price		
						FJFN	FJFNS	FJFNB
FJFN	10-75	100	10	319				
	10-100	125		330				
	12-75	101		339				
	12-100	126	13	357				
	12-125	151		376				
	12-150	176		393				
	16-75	103		436				
	FJFNS	16-100	128	16.6	446			
		16-130	158		505			
		16-150	178		532			
16-180		208	571					
*20-100		131	626					
*20-130		161	692					
FJFNB	*20-150	181	39.2	729				
	*20-180	211		800				
	*24-130	166		1100				
	*24-180	216		1250				

For M20 and M24, fine thread is applicable. Kgf (Load)=Nx0.101972

Type	Part Number	M	A	L	Unit Price
FJFNF	10	80-200	A+25		
	12	80-250	A+26		
	16	80-300	A+28		
	20	110-300	A+31		

Tips of screws are painted.

Type	Part Number	M-A	L	d	Y	Allowable Vertical Load (kN)	Mass (g)	Unit Price	
								Example	
FJFNH	10-75	100	6	25	10	329			
	10-100	125				340			
	12-75	101				349			
	12-100	126	7	26	13	367			
	12-125	151				386			
	12-150	176				408			
	16-75	103				451			
	Handwheel Type	16-100	128	8	27	16.6	461		
		16-130	158				520		
		16-150	178				547		
16-180		208	586						

Ordering Example: **Part Number** - **A**  
**FJFN10-75** - **150**  
**FJFNF20** - **150**  
**FJFNH16-100**

Alterations Example: **Part Number** - (WC / WK / SC / WN)  
**FJFN12-150** - **WC**

For FJFN only. No plating on alteration-applied sections. For alterations for 31 or more pieces, please request a quotation.

Alterations	Square Flats	Hex Flats	Wrench Flats	Hex Wrench Socket Machining
	WC	WK	SC	WN
Code	WC	WK	SC	WN
Spec.	Ordering Code WC	Ordering Code WK	Ordering Code SC	Ordering Code WN
	Applicable when 20≥M≥10	Applicable when 20≥M≥10	Applicable when 20≥M≥10	Applicable when 20≥M≥10
	M	M	M	M
	WC	WK	SC	WN
	ℓ	ℓ	ℓ	ℓ

Example: SRBR16 (P.208) FJFN16-150