

Tubes

Tube Clips / Tube Cutter

Fluoro Rubber Tubes
Transparent Type
PUTFB
PUTFBL



Material: Fluoro Rubber

Part Number	Standard Length (m)	Configurable Length (0.5m Increment)	I.D. (mm)	O.D. Accuracy (mm)	Max. Operating Pressure (MPa)	Burst Pressure (MPa)	Mass (kg/m)	Standard		Configurable Length	
								Unit Price	Volume Discount Rate	Unit Price/m	Volume Discount Rate/m
PUTFB (Standard Length)	4	10	2	±0.15	0.248	0.993	0.018	1 ~ 4 pc(s)	5 ~ 10	1 ~ 4 pc(s)	5 ~ 10
	6	20									
	8	20									
	10	20									
PUTFBL (Configurable Length)	4	10	4	±0.15	0.149	0.594	0.030	1 ~ 4 pc(s)	5 ~ 10	1 ~ 4 pc(s)	5 ~ 10
	6	20									
	8	20									
	10	20									

Features: Excellent in transparency and chemical resistance.

Fluoro Rubber Tubes
Heat Resistant Type
PUTFG
PUTFGL



Material: Fluoro Rubber

Part Number	Standard Length (m)	Configurable Length (0.5m Increment)	I.D. (mm)	Min. Bending Radius (mm)	O.D. Accuracy (mm)	Max. Operating Pressure (MPa)	Burst Pressure (MPa)	Mass (kg/m)	Standard		Configurable Length	
									Unit Price	Volume Discount Rate	Unit Price/m	Volume Discount Rate/m
PUTFG (Standard Length)	4	10	2	20	±0.15	-	-	0.019	1 ~ 4 pc(s)	5 ~ 10	1 ~ 4 pc(s)	5 ~ 10
	6	20										
	8	20										
	10	20										
PUTFGL (Configurable Length)	4	10	4	25	±0.15	0.088	0.35	0.044	1 ~ 4 pc(s)	5 ~ 10	1 ~ 4 pc(s)	5 ~ 10
	6	20										
	8	20										
	10	20										

Features: Excellent in heat resistance (~ 200°C), oil resistance, ozone resistance, and chemical resistance.

Silicon Tubes
PUTC
PUTCL



Material: Silicon Rubber

Part Number	Standard Length (m)	Configurable Length (0.5m Increment)	I.D. (mm)	Min. Bending Radius (mm)	Mass (kg/m)	Standard		Configurable Length	
						Unit Price	Volume Discount Rate	Unit Price/m	Volume Discount Rate/m
PUTC (Standard Length)	4	10	2	10	0.011	1 ~ 4 pc(s)	5 ~ 10	1 ~ 4 pc(s)	5 ~ 10
	6	20							
	8	20							
	10	20							
PUTCL (Configurable Length)	4	10	4	20	0.018	1 ~ 4 pc(s)	5 ~ 10	1 ~ 4 pc(s)	5 ~ 10
	6	20							
	8	20							
	10	20							

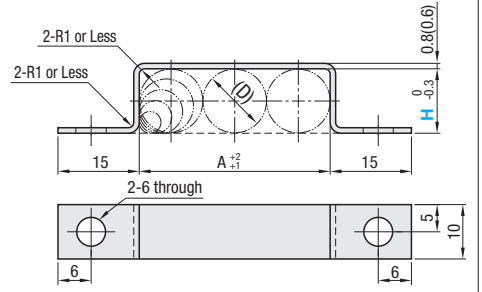
Ordering Example: Part Number - Length
PUTFB4 - 10
PUTCL4 - 3.5

Tube Clips



RoHS10

Type	Material	Surface Treatment
CUCLP	EN 1.0330 Equiv.	Trivalent Chromate
CUCLPS	EN 1.4301 Equiv.	-



Dimensions in () are for CUCLPS.

Part Number	Type	H	Number of Tubes	A	Applicable Tube O.D. (D)	Unit Price	
						CUCLP	CUCLPS
CUCLP CUCLPS		4	2-10	4x pcs.	4		
		6		6x pcs.	6		
		8		8x pcs.	8		
		10		10x pcs.	10		
		12		12x pcs.	12		

Ordering Example: Part Number
CUCLP4

Soft Tube Inserts



RoHS10

Type	Material	Surface Treatment
PUIT	EN CW508L Equiv.	Electroless Nickel Plating
PACK-PUSIT	EN 1.4301 Equiv.	-



Part Number	Type	Applicable Tube O.D. (mm)	D	d	D1	L	PUIT		PACK-PUSIT		
							Unit Price	Volume Discount Rate	Unit Price	Volume Discount Rate	
PUIT PACK-PUSIT		4	2.5	2.5	2.1	2.8	18	1 ~ 9 pc(s)	10-30	1 ~ 2 pack(s)	3-10
		6	4	4.0	3.6	4.5	18.5				
		8	5	5.0	4.6	5.5	20				
		10	6.5	6.5	6.1	7.0	22				


Ordering Example: Part Number
PUIT4

10 pcs. per pack for PACK-PUSIT.

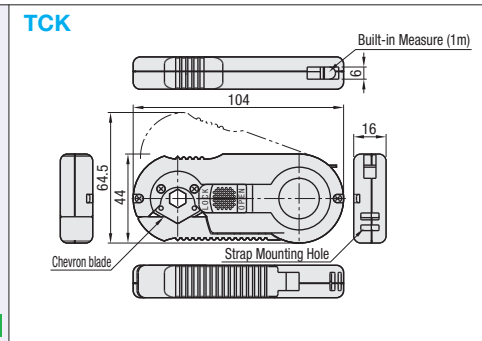
Features:
• Prevents shrinkage of tube from inside.
• Insert this into the connecting part of soft tubes.

Tube Cutter
TCK

Tube Cutter Replacement Blade
TCKE



RoHS10



Part Number	Unit Price
Type	1 ~ 20 pc(s).
TCK	

Part Number	Quantity	Unit Price
Type	1 ~ 10 pc(s)	
TCKE	10 pcs. / set	

Features:
• New edges can be used by turning the chevron blade 180 degrees.
• The tube can be cut at a desired length using the built-in measure.
• The tube cutter can be safely stored using the lock mechanism.

Ordering Example: Part Number
TCK