


Hinge Bases

L-Shaped Fulcrum Type

Thick Hinge Bases

L-Shaped Fulcrum Type

■ Features: Prevent interference by shifting Fulcrum.



Type		Material	Surface Treatment
U-Shaped	T-Shaped	EN 1.1191	Black Oxide
HGLTB	HGLNB	EN 1.1191	Black Oxide
HGLTM	HGLNM	EN 1.4301 Equiv.	Electroless Nickel Plating
HGLTS	-	EN 1.4301 Equiv.	-

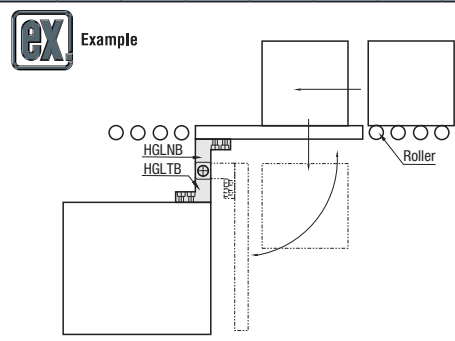
$\sqrt{2.5} / (\sqrt{6.3} / \sqrt{1.6})$

U-Shaped

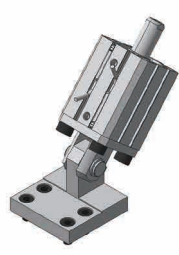
T-Shaped

Part Number Type	DH7	W		H		A	F	P	X	B	S	T	d2	d1	H1	Unit Price			
		1mm Increment	5mm Increment	1mm Increment	5mm Increment											U-Shaped		T-Shaped	
U-Shaped HGLTB HGLTM HGLTS	3	3~6	15~25	20	10	-	14.5	H+5	8	9	4.5	8	4.5						
	4	4~8	20~30	22	11	-	15.5	H+6	10	12	5.5	9.5	5.5						
	5	5~10	25~35	25	12	-	18.5	H+8	12	16	6	10	6						
	6	6~12		32	20	-	24	H+10	14	19	7	11	7						
	8	8~16	30~40	38	25	-	27	H+12	15	22	8	12	8						
	10	10~18		45	28	12	25	H+14	17	25	9	13	9						
	12	12~30	35~45	50	34	14	28	H+17	18	30	10	14	10						
	13	13~30		60	40	17	33	H+17	18	30	11	15	11						
	T-Shaped HGLNB HGLNM	14	14~24	40~50	65	45	17	38	H+17	18	30	12	16	12					
	15	15~24	65		45	17	38	H+17	18	30	13	17	13						
16	16~24																		
20	20~30																		
25	25~35																		

Ordering Example
 Part Number - W - H
 HGLTS20 - W20 - H40
 HGLNB12 - W12 - H35




Combination of these app. examples can be selected on our website. For details of selections see P.87



DH7	Unit Price				
	U-Shaped			T-Shaped	
	HGLTB	HGLTM	HGLTS	HGLNB	HGLNM
3					
4					
5					
6					
8					
10					
12					
13					
14					
15					
16					
20					
25					

■ Features: Prevent interference by shifting Fulcrum.



Type		Material	Surface Treatment
U-Shaped	T-Shaped	EN 1.1191	Black Oxide
HGLJB	HGLKB	EN 1.1191	Black Oxide
HGLJM	HGLKM	EN 1.4301 Equiv.	Electroless Nickel Plating
HGLJS	-	EN 1.4301 Equiv.	-

$\sqrt{2.5} / (\sqrt{6.3} / \sqrt{1.6})$

U-Shaped

T-Shaped

Part Number Type	DH7	T Selection	W		H		A	F	P	X	S	d2	d1	H1	C	Unit Price		
			1mm Increment	5mm Increment	1mm Increment	5mm Increment										U-Shaped		T-Shaped
U-Shaped HGLJB HGLJM HGLJS	4	12	4~8	20~30	25	12	18.5	7.5	4.5	8	4.5	8	4.5	3				
	5	16	5~10	21~31	28	20	22	7.5	4.5	8	4.5	8	4.5	4				
	6	16	6~12	25~35	28	12	22	9.5	5.5	9.5	5.5	9.5	5.5	5				
		19			32	20	25.5	6										
	8	19	8~16	30~40	38	25	28.5	11.5	6.5	11	6.5	11	6.5	6				
		22			45	30	27.5	7										
	10	19	10~20	35~45	45	30	27.5	16	9	14	9	14	9	7				
		22			50	35	28.5	8										
	12	25	12~30	40~50	50	35	28.5	17	10	15	10	15	10	8				
		25			60	40	31.5	9										
13	22	13~30	45~55	55	40	31.5	16	11	16	11	16	11	9					
	25			65	45	35	10											
14	25	14~30	50~60	60	40	35	17	12	17	12	17	12	10					
	30			70	45	37.5	11											
15	25	15~30	55~65	65	45	37.5	18	13	18	13	18	13	11					
	30			75	50	39	12											
16	25	16~30	60~70	70	50	39	19	14	19	14	19	14	12					
	30			80	55	41	13											
20	30	20~35	70~80	80	55	41	20	15	20	15	20	15	13					
	38			90	60	43	14											
25	38	25~35	80~90	90	60	43	21	16	21	16	21	16	14					
	38			100	65	46	15											

Ordering Example
 Part Number - T - W - H
 HGLKM16 - T30 - W25 - H42
 HGLKB10 - T19 - W15 - H35

■ List of Diameter (DH7), Thickness (T) and Thickness on One Side

DH7	Hinge Bases Standard (P.1585)			Hinge Bases Thick		
	T	Thickness on One Side (T-DH7)/2	T	Thickness on One Side (T-DH7)/2	T	Thickness on One Side (T-DH7)/2
4	9	2.5	12	4	-	-
5	12	3.5	16	5.5	19	7
6	16	3	19	5	22	6.5
8	16	4	19	5.5	22	7
10	16	3	19	4.5	25	6
12	19	3.5	22	5	25	6.5
13	19	3	22	4.5	25	6
14	19	4	22	5.5	25	8
15	22	3.5	25	5	30	7.5
16	22	3	25	4.5	30	7
20	25	2.5	30	5	38	9
25	30	2.5	38	6.5	-	-

■ Features: The hole's thickness on one side is selectable by working load.